

MICRO SWITCH

A DIVISION OF MINNEAPOLIS-HONEYWELL REGULATOR COMPANY
FARGO, MINNESOTA

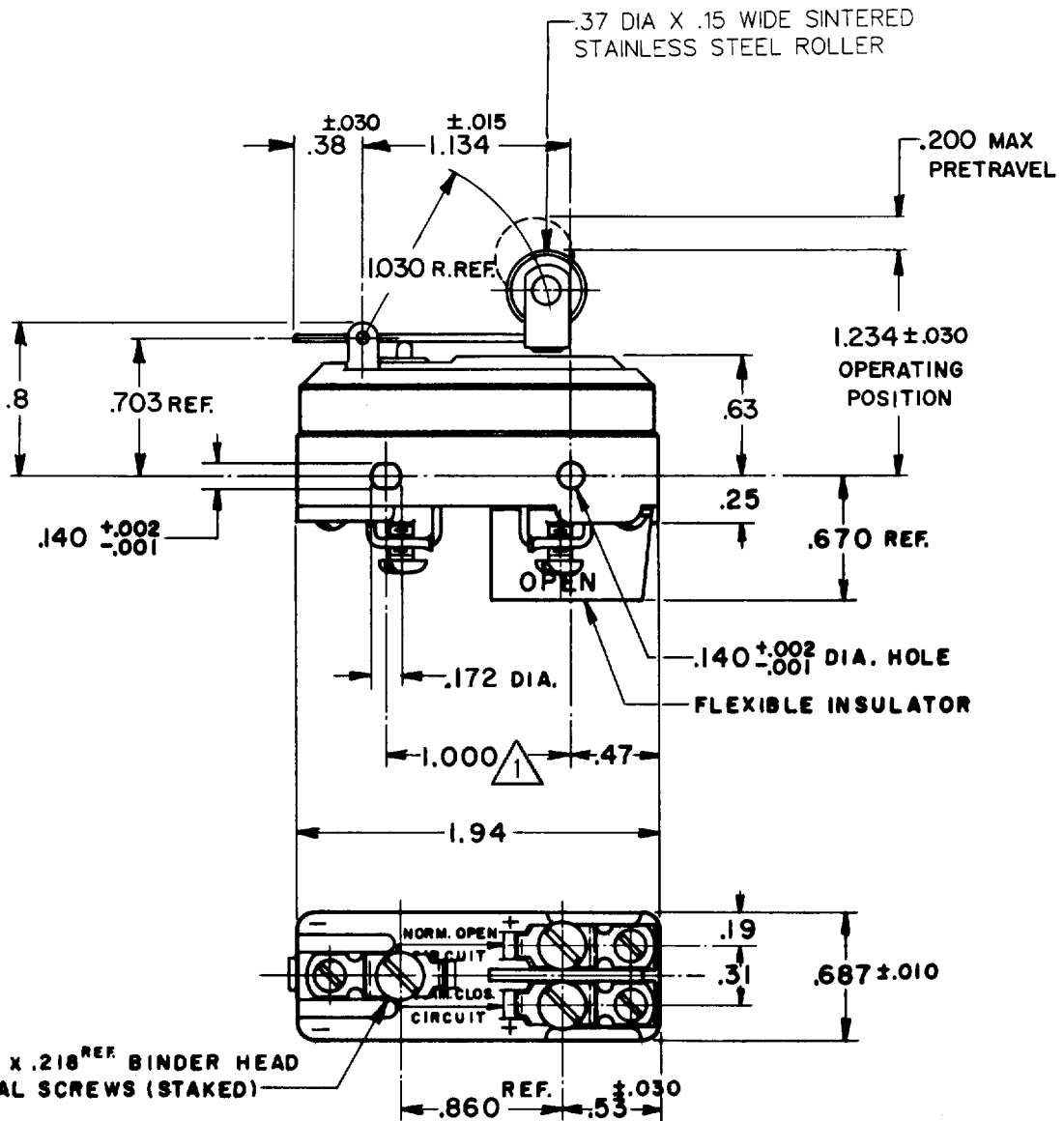
FED. MFR. CODE 91929

SWITCH - BASIC

CATALOG LISTING

MT-4RV22-A28

CATALOG LISTING
MT-4RV22-A28
PAGE 1 OF 1
RELEASE NO.
DRAWING NUMBER
11
ISSUE
REVISIONS
A C.D. 9799
C.M.A. 11 AUG. 55
B C.O. 11613
N.H.L. 1 AUG. 57
C CO12569
K.L.B. 11 DEC. 57
D CO13960
M.B.F. 23 OCT 59
E CO35255
D.B.W. 12 MAY 75
F CO46819
W.J.M. 25 NOV 79
G CO 75204-B
S.A.V. 1 FEB 94
H CO-95987
C.S.L. 22 FEB 00
FORMTEK
DRAWN
C.M.A. 11 AUG. 55
74-86



- NOTES**
- MOUNTING HOLES WILL ACCEPT PINS OR SCREWS OF .139 MAX. DIA. ON 1.000^{±.002} CENTERS.
 - FOR BEST RESULTS EITHER POLARIZE THE SWITCH WITH COMMON TERMINAL BEING OF NEGATIVE POLARITY OF MOUNT THE SWITCH WITH BRASS SCREWS AND SPACE AT LEAST .250 MAGNETIC MATERIALS.

THIS DRAWING COVERS A PROPRIETARY ITEM AND IS THE PROPERTY OF MICRO SWITCH, A DIVISION OF HONEYWELL. THIS DRAWING IS NOT TO BE COPIED OR USED WITHOUT THE APPROVAL OF MICRO SWITCH.

CHARACTERISTICS	ELECTRICAL DATA	SCALE FULL
OPERATING FORCE ----- 4 1/2 OZ. MAX.	CONTACT ARRANGEMENT S. P. D. T.	DO NOT SCALE PRINT
RELEASE FORCE ----- 1 OZ. MIN.	NON-POLARIZED VOLTS D-C 125 250 MOTOR 1/4 HP + RESISTIVE 10 AMPS 1.5 TO 3.0*	UNLESS OTHERWISE SPECIFIED DIMENSIONS ARE IN INCHES
DIFFERENTIAL TRAVEL ----- .035 MAX.	POLARIZED OR NON-MAGNETICALLY MOUNTED VOLTS D-C 125 250 MOTOR 1/2 HP + RESISTIVE 10 AMPS 1.5 TO 3.0*	TOLERANCES ARE:
OVERTRAVEL ----- .015 MIN.	* NOT SUITABLE FOR USE AT LESS THAN 1.5 AMPS + WILL NOT BREAK LOCKED ROTOR CURRENT	ONE PLACE (.0) ±.030 TWO PLACE (.00) ±.015 THREE PLACE (.000) ±.008 ANGLES ±
	UND. LAB. INC. LISTED RATING (NON-POLARIZED) - 1155 - 10 A - 125 VDC OR AC; 1/4 HP - 125 VDC OR AC	WEIGHT